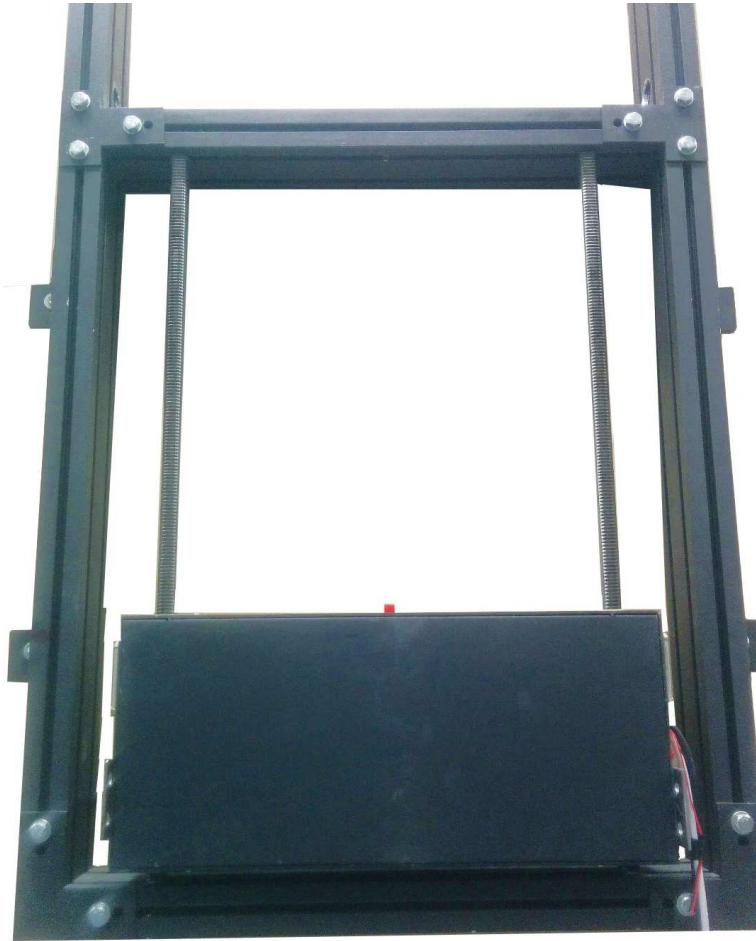


## YTK LCD UT-80T 80" LCD Mon Ceiling Mount Lift



### Features

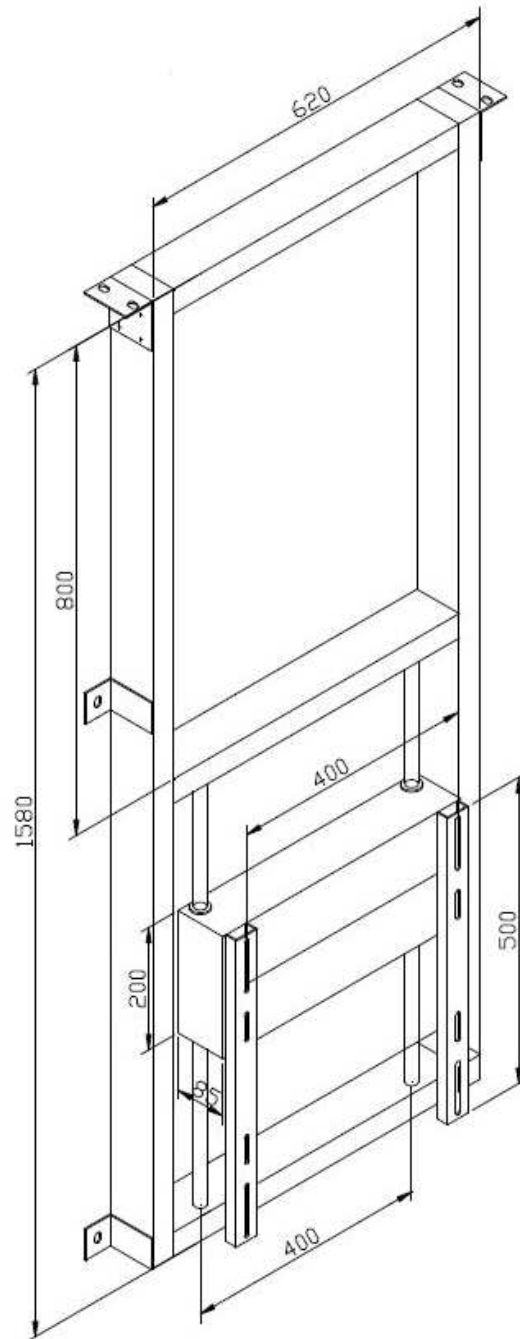
- 80" LCD Mon Ceiling mount lift
- Wall Mount bracket for 80" Mon
- Supply RS232/RS485, Including: Manual and wireless remote control
- Function: Up, Down, stop
- Material: Iron of A3, Steel wire
- USA damping motor , Brake Function
- Automatic setting of two section: stop
- Color: black, Phenolic plastics , Surface treatment: Bake of high temperature

### Specification

- Motion max distance: 500mm
- VESA: 400(W) x 500(H)mm
- Weight: 40kg
- Load weight: 150kg

- Power Supply: 220 V / 50 ~ 60 Hz, 13A plug
- Dimensions: 620(W) x 200 (D) x1580(H) mm.
- Connector port : DVI/HDMI , RS232/RS485 ,(Optional) USB
- Operation noise : less than or  $\leq$  20dB

## **Drawing**



### **Built-in Wireless control:**

- Control mode : RF wireless control
- Function: Up, Down, stop

**Site photo:**



**Suitable use:**

Special classroom, Meeting room, Conference room, VIP room, Intelligence room

**Warranty: 12 Month**

**CB CE**